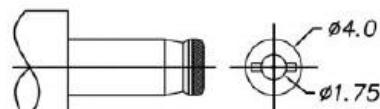
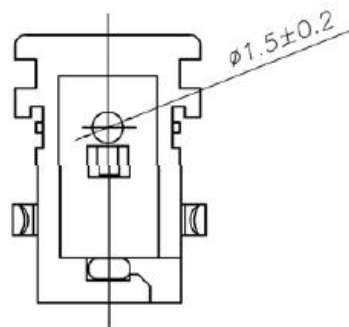
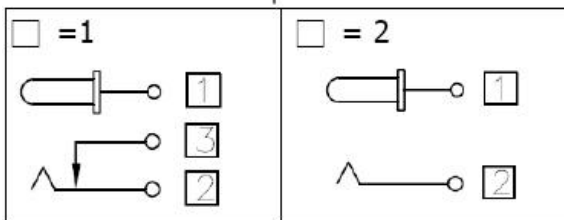


RECOMMENDED P. C. B. LAYOUT
 UNSPECIFIED TOLERANCE: ±0.05
 (BOTTOM VIEW)

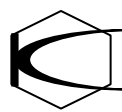


DC MATE PLUG

□ = B (Black)
 □ = Y (Yellow)



4	Shunt terminal	Brass t0.40	1	Ag PLATED
3	Center pin terminal	Phosphor bronze t0.3	1	Ag PLATED
2	Center Pin	Brass	1	Ag PLATED
1	Housing	PBT	1	
NO	PARTS NAME	MATERIAL	Q'TY	NO



銓基電子股份有限公司
 ROKI ELECTRONICS CO., LTD.

PART NAME : DC JACK

PART NO : JD61-□-□-PF SERIES

TOLERANCE : ±0.3 mm

SCALE :

UNIT : mm

VER : R01

